

PYXIS

Multi

Technical information



Quality standard

LST EN 15372:2017

10 year Warranty

See Warranty statement

Other documents available for this product

Cable management guidelines for PYXIS Multi conference and meeting tables
TOP OFFICE product care guide

Whiteboard with holder

Perforated top cover

Set of hooks for perforated top cover

Top and bottom side shelves

Metal frame under tabletop

Planter box

Top metal frame

Monitor holder

Tabletop

Hook

Central leg

Legs

Bottom metal frame



Technical information

Types

- 1000 mm depth Multi tables and supplementary units (1)
- 1400 mm depth Multi tables (2)

1



2



MFC (melamine) tabletop

- 25 mm thickness with 2 mm ABS edging;
- The corners of the tabletop are PYXISed: R100 mm;
- With or without a cut-out for a grommet and power socket.

HPL tabletop

- 26 mm thickness MDF covered in HPL with sloping painted edging;
- The corners of the tabletop are PYXISed: R75 mm;
- Sloping painted edges: white, black or grey colour;
- The bottom edges of the tabletop are sloped 75°;
- With or without a cut-out for a grommet and power socket.

Metal frame under tabletop

- Rectangular metal tube – 30x20 mm;
- Powder-coated metal.

Top and bottom metal frame

- PYXIS metal tube – Ø 40 mm;
- Powder-coated metal.

Metal legs

- Bent metal tube – Ø 40 mm;
- With welded metal tube (Ø 40 mm) and plates for metal frame fixing;
- Powder-coated metal;
- Plastic feet with height levelling (+10 mm) or castors (only for 1000 mm depth tables).

Central leg (only for 1000 mm depth tables)

- Bent metal tube Ø 40 mm;
- With welded metal tube Ø 45, Ø 40 mm and plates for metal frame fixing;
- Powder coated metal;
- Plastic feet with height levelling (+10 mm) or castors.

Central leg (only for 1400 mm depth tables)

- Welded metal tube (Ø 40 mm), 60x30 mm and plates for metal frame fixing;
- Powder-coated metal;
- Plastic feet with height levelling (+10 mm).

Supports or castors

- 1000 mm depth tables are available with or without castors;
- Four swivel castors, Ø 100 mm, with wheel brakes;
- Castors rotate in all directions;
- Maximum load capacity: 100 kg per castor.
- Make sure that, before relocating your table with castors, all electrical components are disconnected from the main power source and stacked into a cable tray.

Accessories (optional)

Top and bottom side shelves (1)

- Measurements for 1000 mm depth tables: 590x100x50, 590x100x100, 680x100x50, 680x100x100 mm;
- Measurements for 1400 mm depth tables: 850x100x50, 850x100x100, 940x100x50, 940x100x100 mm;
- Bent metal sheet with welded metal holders;
- Powder-coated metal;
- Different shelves are designed for two heights: 1140 mm and 1480 mm (measuring from the floor);
- Can be easily removed or placed on different legs without any tools;
- Maximum load capacity: 5 kg per shelf.

Planter box (2)

- Measurements for 1000mm depth tables: 600x108x100 mm;
- Measurements for 1400mm depth tables: 900x278x100 mm;
- Bent metal sheet with welded metal holders;
- Powder-coated metal;
- Can be easily removed or placed without any tools;
- Meant to hang only on the top metal frames;
- Not suitable for direct planting;
- Maximum load capacity: 5 kg per box.

Perforated top cover (3)

- Measurements for 1000 mm depth tables: 1600x164x23 mm (for L=1680 mm tables), 1800x164x23 mm (for L=1880 mm tables);
- Measurements for 1400 mm depth tables: 1180x334x23 mm (2pcs., for L=2480 mm tables), 1380x334x23 mm (2pcs., for L=2880 mm tables);
- 1 mm thickness metal sheet with perforated \varnothing 8 mm holes;
- Welded with metal profiles;
- Hang only on the top metal frames. Fixed with metal screws.

Set of hooks for perforated top cover (4)

- Made of bent wire, \varnothing 3 mm;
- Powder-coated metal;
- Hang only on the perforated top cover;
- Maximum load capacity: 1 kg per hook.

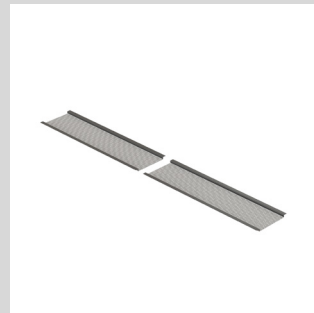
1



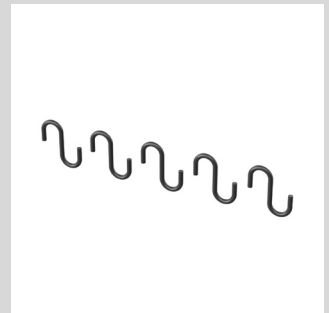
2



3



4



Monitor holder (5)

- Two heights available (monitor centre measured from the floor): 1100 mm (only for tabletop H=740 mm) or 1440 mm (for tabletop H=740/900/1050 mm);
- Hanging support is made from bent metal sheet. For 1000 mm depth tables: 565x116x51 mm and 655x116x51 mm. For 1400 mm depth tables: 825x116x51 mm and 915x116x51 mm;
- The plate for the monitor is made from a bent metal sheet (230x230x32 mm);
- Powder-coated metal;
- VESA standard – 75x75, 100x100, 200x100, 200x200 mm;
- Recommended screen up to 48"- 49" (maximum screen height 64 cm/25.2"), weight up to 12 kg;
- Screws for screen fixing to VESA plate are NOT INCLUDED.

Whiteboard with a holder (6)

- Two heights available (board centre measured from the floor): 1100 mm (only for tabletop H=740 mm) or 1440 mm (for tabletop H=740/900/1050 mm);
- Hanging support is made from bent metal sheet. For 1000 mm depth tables: 565x116x51 mm and 655x116x51 mm. For 1400 mm depth tables: 825x116x51 mm and 915x116x51 mm;
- Plate for board fixing is made from a bent metal sheet (230x230x32 mm);
- Board (660x580 mm) from 14 mm MDF covered in HPL with sloping painted edges;
- Can be easily removed or placed on different sides of legs.

Hook (under tabletop) (7)

- Made from a bent metal sheet (80x78x30 mm);
- Powder-coated metal;
- Fixing with screws (only under tabletop);
- Maximum load capacity: 5 kg per hook.

5



6



7



Electrical accessories (optional)

Cable tray (for 1000 mm depth tables)

- Dimensions: 480x367x68 mm;
- Powder-coated metal.

Cable tray (for 1400 mm depth tables)

- Dimensions: 500x100x110 mm;
- Powder-coated metal.

Cable duct

- Plastic cable duct with metal base, L=750 mm;
- Plastic cable duct with metal base, L=1250 mm.

PYXISed metal desk grommet (for 1400 mm depth tables)

- Metal sheet box dimensions – 322x127x26 mm;
- Powder-coated metal.

Available power unit configurations (for 1000 mm depth tables)

- Integrated AC power socket;
- Integrated AC power socket and USB fast charger type-A and type-C, with one cable guide for HDMI or LAN;
- Power unit (3 x AC power sockets 100 – 240 V).
Standards: EU, FR, UK, CH, US.

Available power unit configurations (for 1400 mm depth tables)

- Power unit (3 x AC power sockets 100 – 240 V).
Standards: EU, FR, UK, CH, US.

Power supply cables

- AC plug – GST18i3 female connector;
- AC plug standards: EU, UK, FR, CH, US;
- Cable lengths: 1 m and 3 m;
- Cable core: 1,5 mm² (EU, FR, UK, CH);
- Inline overcurrent protection (OCP 10A) (for the CH market);
- Cable core: 14AWG (for the US market);
- Inline overcurrent protection (OCP 15A) (for the US market);
- Inline overcurrent protection fulfils the statutory requirements: in the USA for more than 3 sockets, in Switzerland for more than 1 socket;
- Black colour.

Extension cables

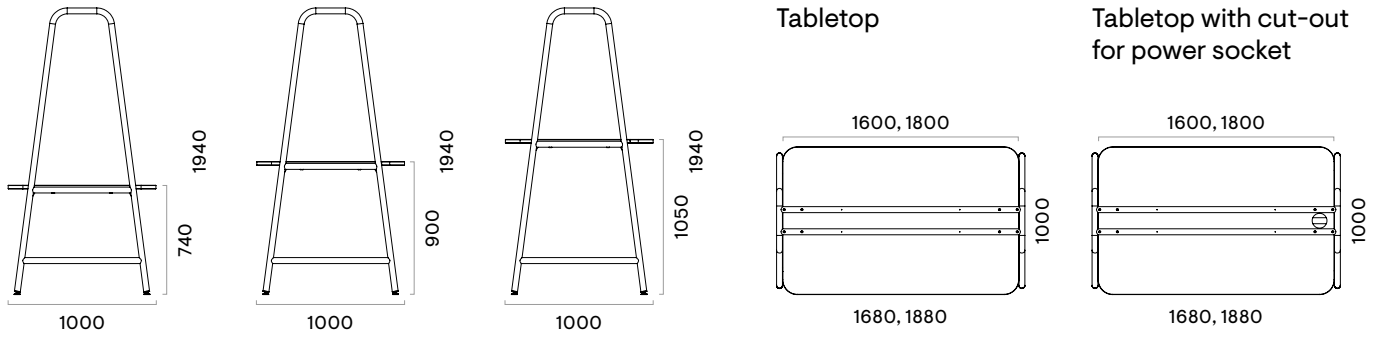
- GST18i3 female connector – GST18i3 male connector;
- Cable lengths: 1 m, 2 m and 3 m;
- Cable core: 1,5 mm² (EU, FR, UK, CH);
- Cable core: 14AWG (for the US market)
- Black colour.

Distributor block

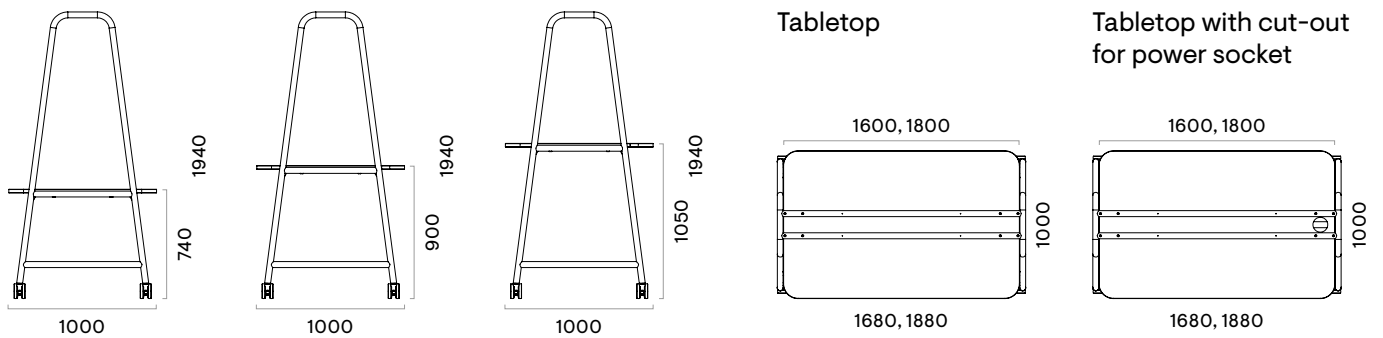
- Distributor block GST18i3 (1 IN, 2 OUT);
- Distributor block GST18i3 (1 IN, 3 OUT).

Range

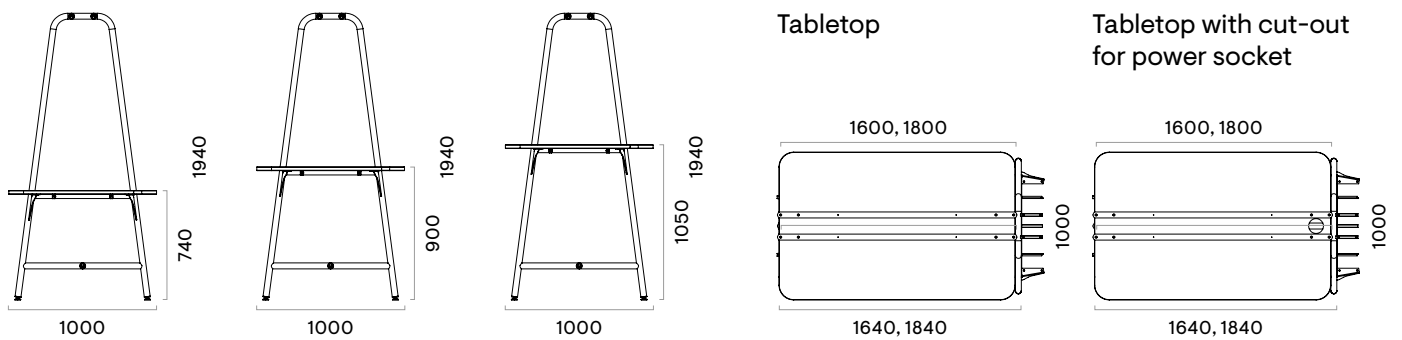
1000 mm depth Multi tables



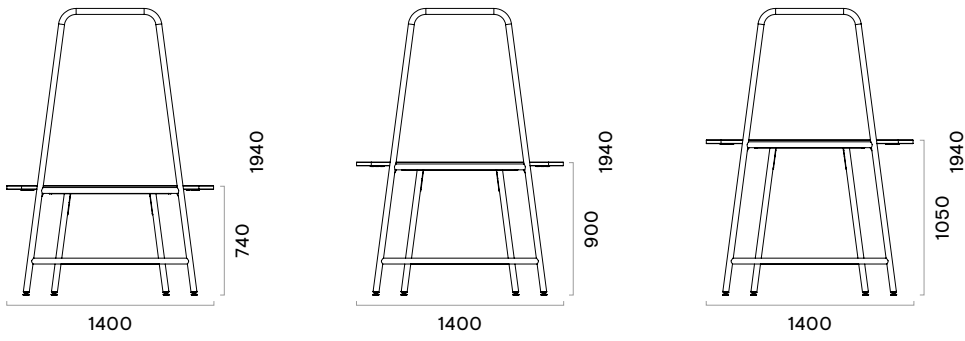
1000 mm depth Multi tables with castors



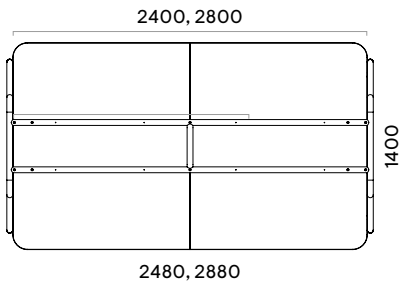
1000 mm depth Multi table supplementary units (not possible with castors)



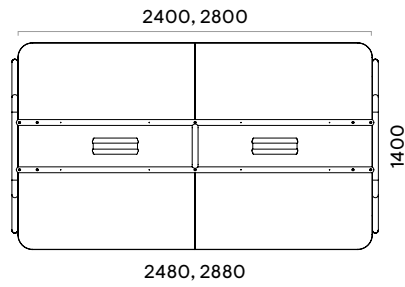
1400 mm depth Multi tables



Tabletop

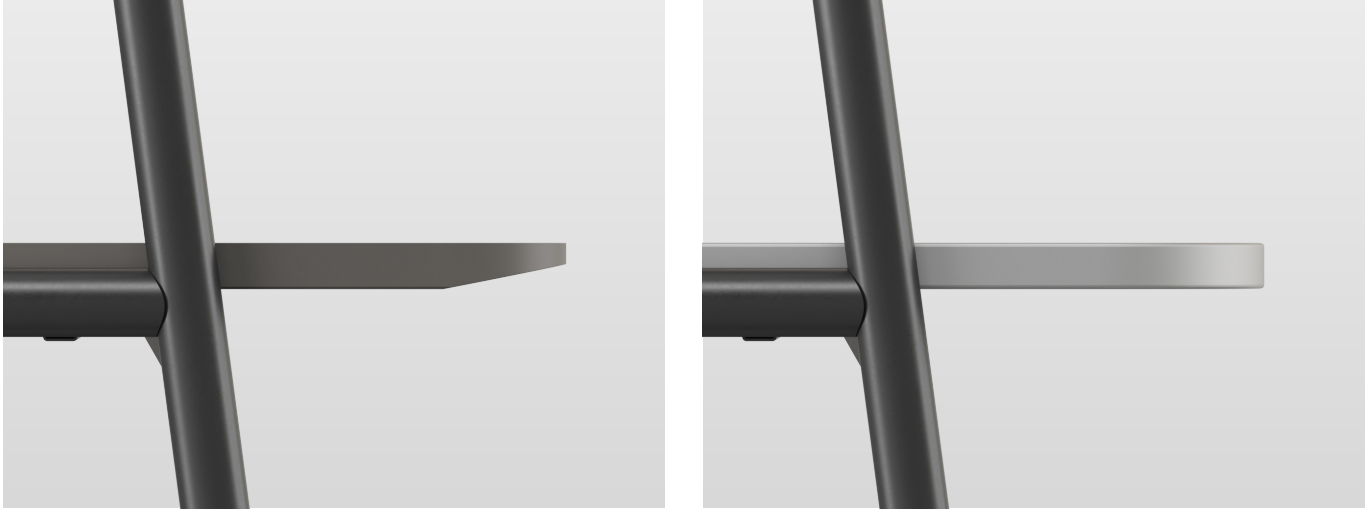


Tabletop with cut-out for power socket

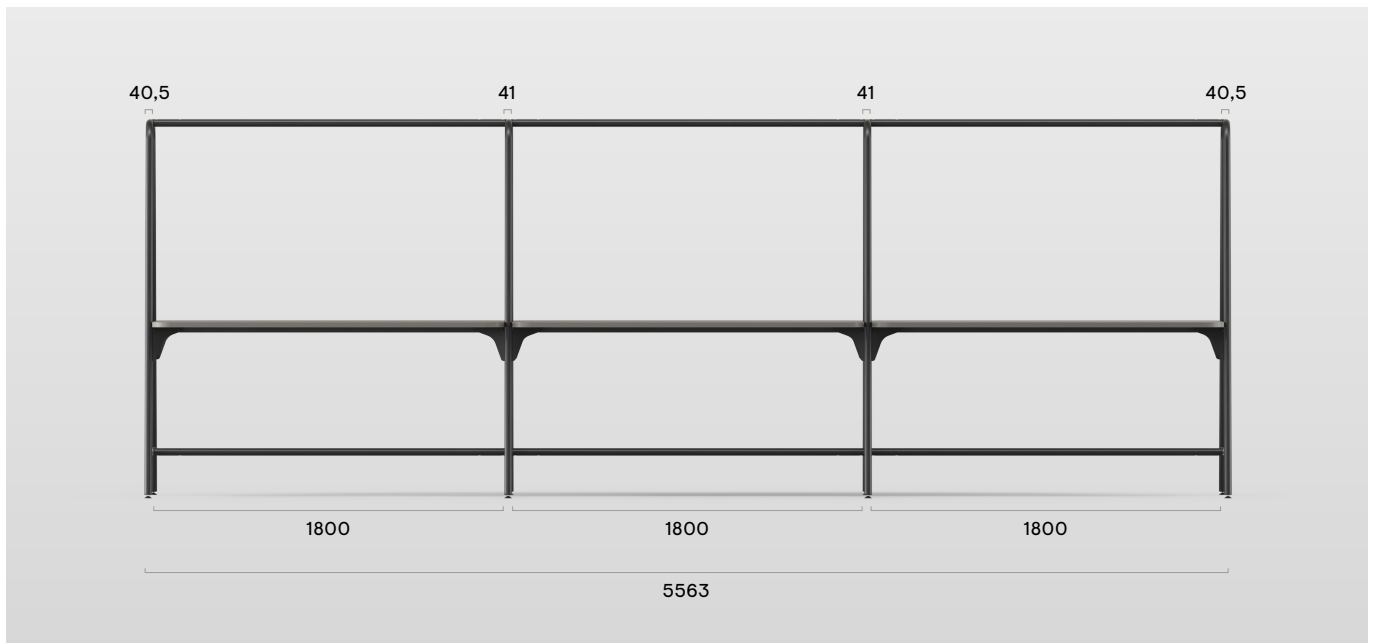


Additional information

- Two types of tabletops are available for the PYXIS Multitables: HPL with sloping painted edges and Melamine with ABS 2mm straight edges.



- MDF tabletops covered in HPL with sloping raw (painted) edges are especially sensitive to contact with hard surfaces like metal or wood, thus require extra caution when used with hard seating furniture.
- There is no limitation to the number of supplementary units in one combination. Please note that with every additional supplementary unit, the general dimensions of the table increase by 1 mm (e.g. 3 additional supplementary units add 3 mm in width).



- Supplementary unit is possible only with tables of the same height.
- It is possible to hang two shelves and a monitor holder or a whiteboard on the same table leg and on different sides of the legs.
- Tool-free shelf, planter box, monitor holder and whiteboard assembly and removal.
- The perforated top cover is designed for decorative purposes only.
- A set of hooks should be placed on the perforated top cover. Hooks can be used to hang lights, plant garland or other lightweight decorations.

- Two different monitor holder and whiteboard holder heights available:



- Tables are made of bent metal tubes welded to other table parts. As a result, welding seam may be visible in some places.
- Due to the small size, the hooks for perforated top cover may be painted unevenly during the painting process. These minor paint irregularities will not be visible when placed on a perforated top cover.